



JBF-301L

Heated Sample Gas Filter



JCT
Analysentechnik

Gas Sampling
Probes

Heated Sample
Lines

Sample Gas
Coolers

Condensate
Treatment

Accessories

Gas Conditioning
Systems

Sample Gas
Converters

APPLICATION

- Extractive gas analysis
- Emission and process monitoring
- Hot filtration of sample gases
- Removal of dust and contamination from sample gas
- For protection of the analyzers

BENEFITS

- Reliable continuous dust filtration
- No change of sample gas
- No cold spots
- No temperature controller necessary
- Low and easy maintenance effort
- Filter element change without tools
- Easy mounting and integration in gas analysis systems
- Quick heating up in max. 30 min
- Long service life of the filter elements
- Low and easy maintenance effort

FEATURES

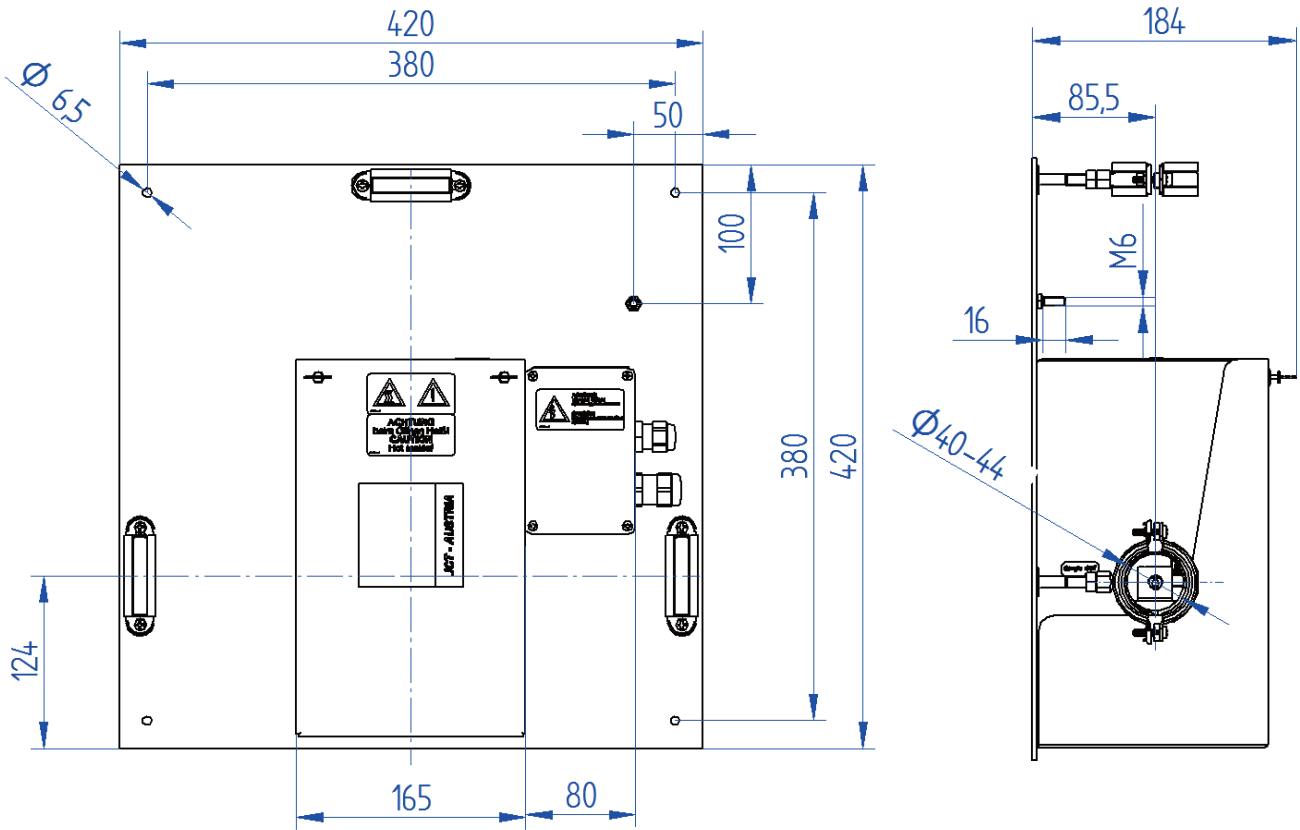
- For wall mounting
- With protection housing
- Homogeneous heating without cold spots
- Filter elements out of ceramic, 2 μm or 0,2 μm porosity or pyrex wool
- Large filter surface
- Filtration from outside to the inside
- Second sample gas outlet (JBF-301LT)
- Low temperature status contact
- Low dead volume
- Low pressure drop
- Variable connection technology

TECHNICAL DATA

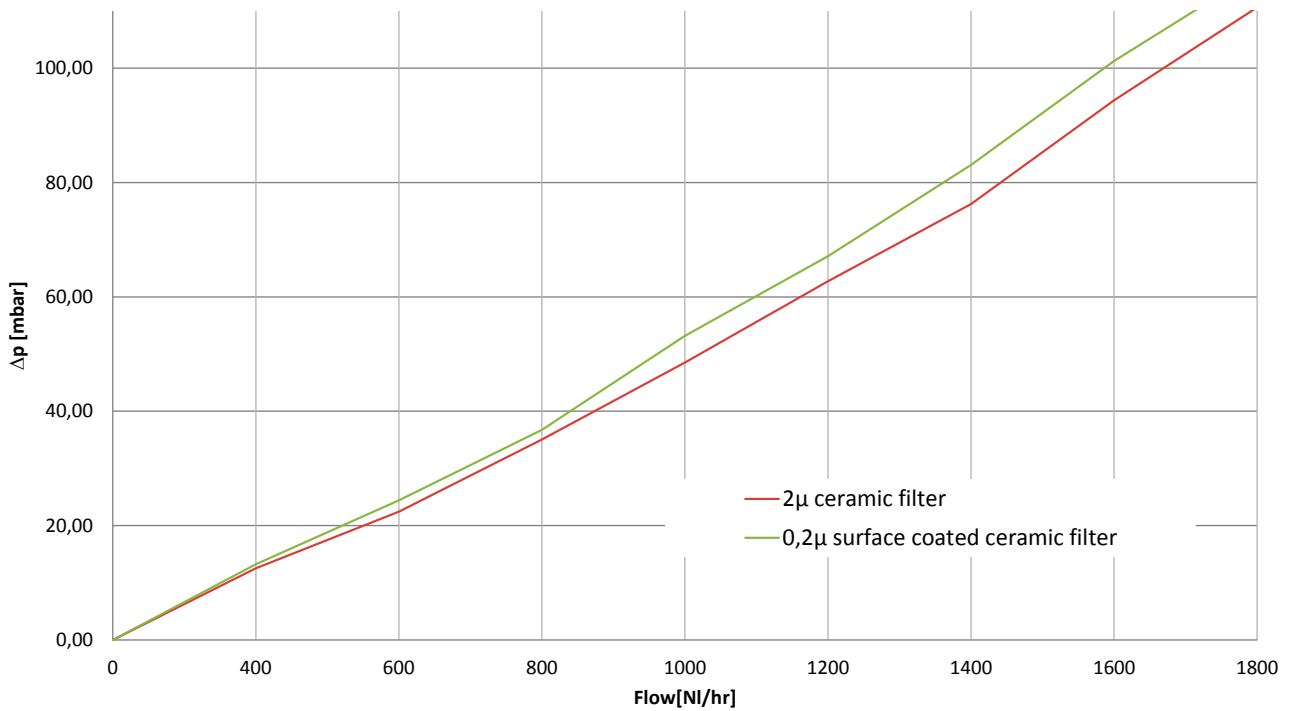
Model	JBF-301L	JBF-301LT	JBF-301HL	JBF-301HLT
Description	heated fine dust filter for analyzer protection			
Number of sample gas outlets	1	2	1	2
Operation				
Operation temperature	approx. 180°C		180°C (ex works), adjustable 5° to 315°C	
Dust loading	max. 2 g/m ³ , flow dependent			
Flow	max. 2000 NI/hr			
Ambient temperature	-20°C to +60°C			
Operating pressure	max. 2 bara			
Low temperature limit	150°C		-30K/+20K fix to set point	
Heating-up time	approx. 30 min			
Construction				
Dimensions over all (W x H x D)	420 x 420 x 184 mm			
Weight	approx. 12 kg			
Filter element	ceramic, 40 / 20 x 66 mm, 2 µm or surface coated 0,2 µm		pyrex wool	
Heating element	PTC self limiting		electronic / PT100	
Connection inlet / outlet	NPT 1/8" female thread			
Gas wetted materials	SS316, ceramic, Viton®		SS316, pyrex wool, Perlast®, Kalrez®	
Dead volume	62 cm ³			
Filter surface	83 cm ²			
Mounting clamps for heated sample lines	Ø 40 to 44 mm			
Protection class	IP 40 (EN60529)			
Protection housing / colour	SS304, thermally insulated / stainless steel natural			
Approvals / signs	CE			
Electrics				
Power supply	115 to 230 VAC 50/60 Hz		230 VAC 50 Hz	
Power consumption	approx. 300 VA		approx. 505 VA	
Status contact	volt free, min. 24 VDC / 50 mA, max. 230 VAC / 5 A, cos _φ 0,95		volt free, 230 VAC / 2 A, min. 5 VDC / 5 mA	
Electrical connection	spring type terminals 0,08 to 2,5 mm ²			
Cable entry power supply	cable gland M20 x 1,5; clamping range 7 to 15 mm			
Cable entry status contact	cable gland M16 x 1,5; clamping range 3,5 to 10 mm			

DIMENSIONS / PRESSURE DROP

Dimensions in mm

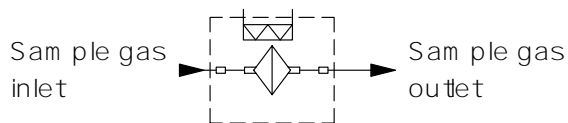


Pressure drop with new filter element and air at 20 °C

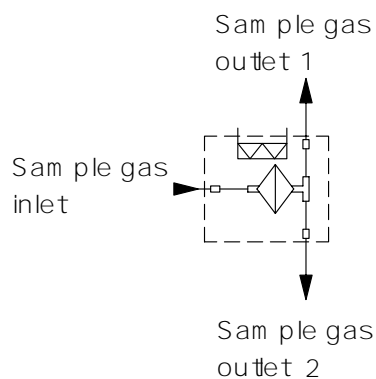


GAS FLOW DIAGRAMS

JBF-301L



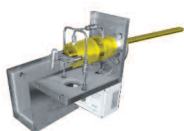
JBF-301LT



ORDER CODES

Order code	Description
36.00170	JBF-301L, heated filter, ceramic filter element 2 µm, 115 to 230 VAC 50/60 Hz
36.00180	JBF-301L, heated filter, surface coated ceramic filter element 0,2 µm, 115 to 230 VAC 50/60 Hz
36.00190	JBF-301LT, heated filter, ceramic filter element 2 µm, 115 to 230 VAC 50/60 Hz, with second sample gas outlet
36.00200	JBF-301LT, heated filter, surface coated ceramic filter element 0,2 µm, 115 to 230 VAC 50/60 Hz, with second sample gas outlet
36.00210	JBF-301HL, heated filter, high temperature version for up to 315°C, pyrex wool filter element, 230 VAC 50 Hz
36.00220	JBF-301HLT, heated filter, high temperature version for up to 315°C, pyrex wool filter element, 230 VAC 50 Hz, with second sample gas outlet

Gas Sampling **Probes**



Heated Sample **Lines**



Sample Gas **Coolers**



Gas Conditioning **Systems**



NOx **Converter**



and **solutions for**

